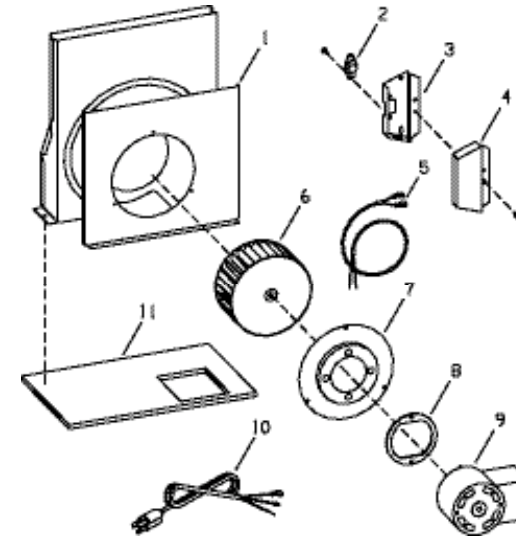


**FRB-2  
for RH350/370, RH50/65 (-1 & -2)**

**PARTS LIST**

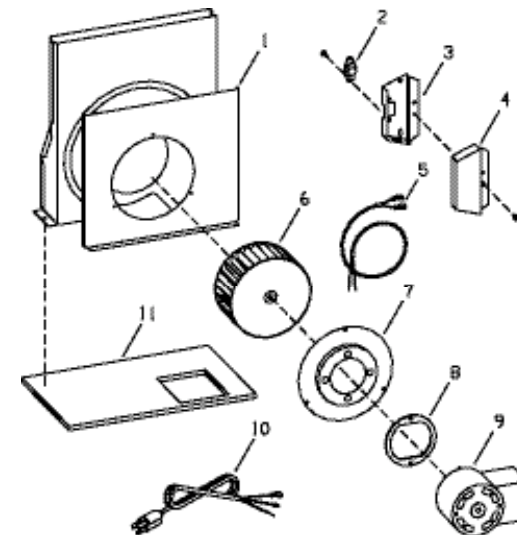
Index No.	Part Number	Description
1	RH667	BLOWER HOUSING & CHUTE ASSEMBLY
2	R1156	FAN SWITCH
3	DV806	SWITCH BOX
4	DV807	SWITCH BOX COVER
5	R1268	WIRE HARNESS - FAN SWITCH
6	R369	BLOWER WHEEL
7	RH036	MOTOR MOUNTING PLATE
8	R587	MOTOR CUSHION
9	R386	MOTOR
10	R315	CORD SET
11	RH138	BLOWER CUSHION



**FRB-3  
for RH50/65 (-4 & -5)**

**PARTS LIST**

Index No.	Part Number	Description
1	RH667	BLOWER HOUSING & CHUTE ASSEMBLY
2	R1156	FAN CONTROL SWITCH
3	DV806	SWITCH BOX
4	DV807	SWITCH BOX COVER
5	R2091	WIRE ASSEMBLY
6	R369	BLOWER WHEEL
7	RH036	MOTOR MOUNTING PLATE
8	R587	MOTOR CUSHION
9	R2605	MOTOR
10	R1468	STRAIN RELIEF BUSHING
11	R2099	CORD SET
12	RH138	BLOWER CUSHION

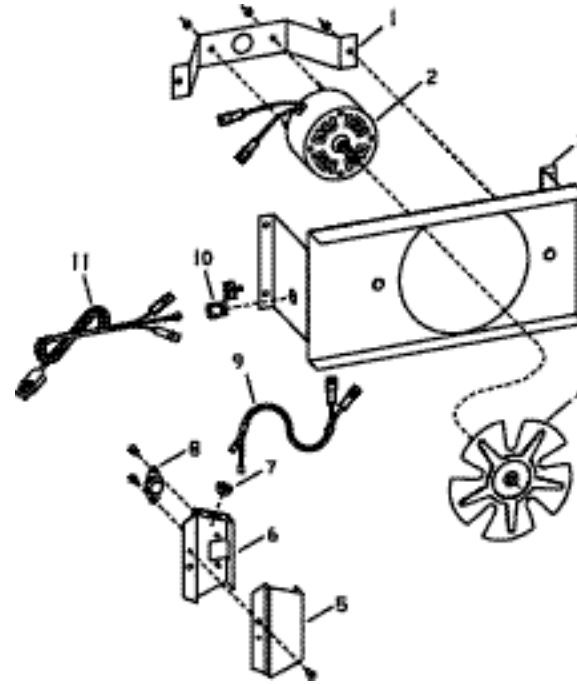


**ACCESSORY  
PARTS**

## GWB-3 for all GW25, GW35, GW50

### PARTS LIST

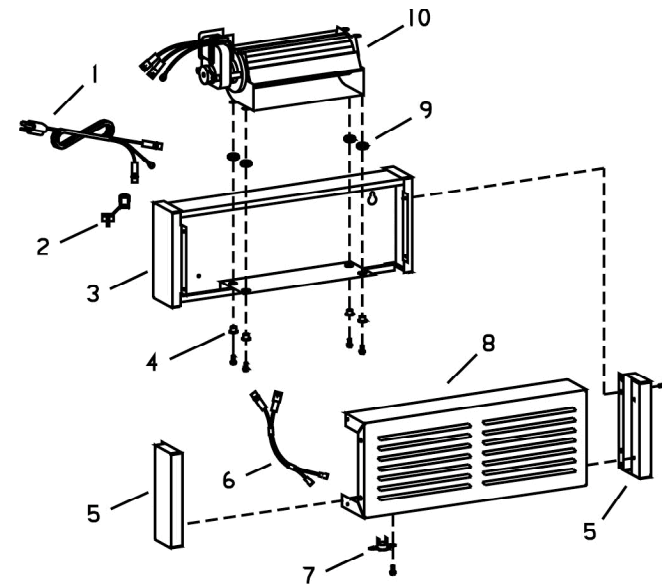
Index No.	Part Number	Description
1	GW082	MOTOR MOUNTING BRACKET
2	R2111	MOTOR
3	GW244	BLOWER HOUSING ASSEMBLY
4	R1309	FAN BLADE
5	DV807	SWITCH BOX COVER
6	DV806	SWITCH BOX
7	R896	HEYCO BUSHING
8	R1156	FAN SWITCH
9	R2091	WIRE ASSEMBLY
10	R1468	STRAIN RELIEF BUSHING
11	R2099	CORD SET
12	GW250	HARDWARE PACKAGE (NS)



## GWTB-1 for all GWT25, GWT35, GWT50

### PARTS LIST

Index No.	Part Number	Description
1	R2204	CORD SET
2	R1468	STRAIN RELIEF BUSHING
3	GWT104	BLOWER HOUSING
4	R1454	BRASS BUSHING (4 REQUIRED)
5	GWT038	BLOWER HOUSING SIDE (2 REQUIRED)
6	R3085	WIRE ASSEMBLY
7	R2503	FAN SWITCH
8	GWT036	BLOWER HOUSING FRONT
9	R1499	RUBBER GROMMET (4 REQUIRED)
10	R2804A	BLOWER MOTOR
	GWT149	HARDWARE PACKAGE (NS)

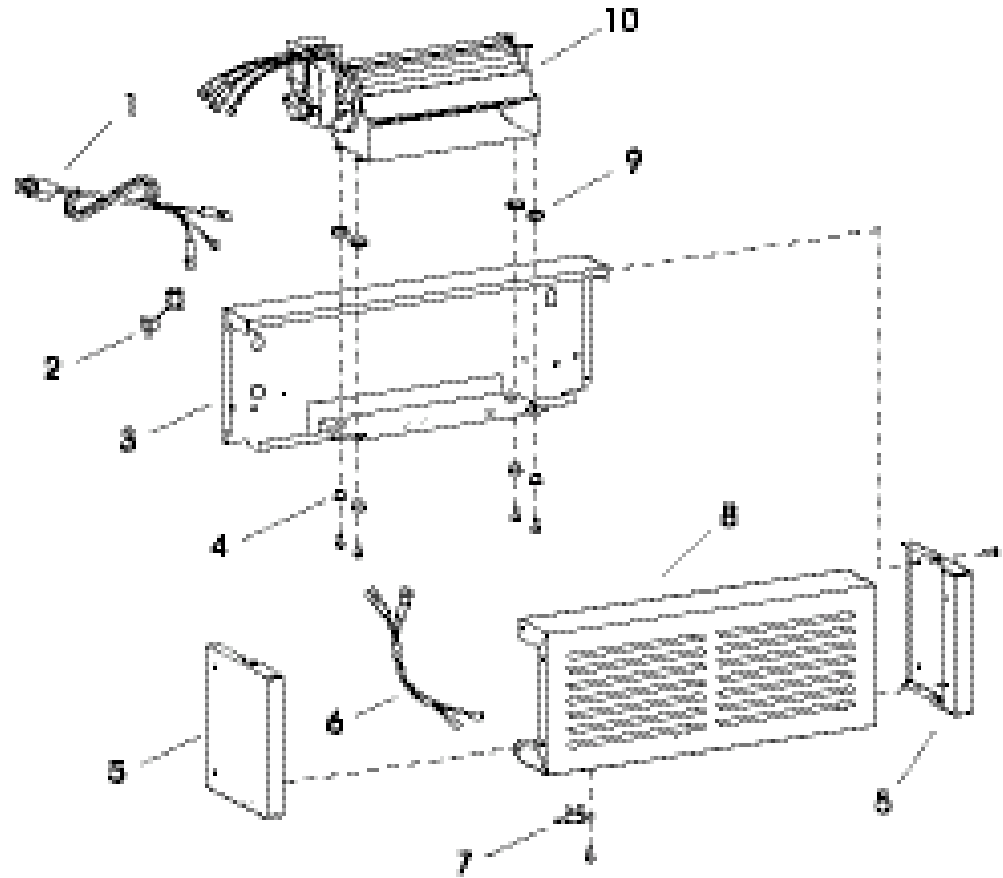


**ACCESSORY PARTS**

**GWTB-2 for all GWT25, GWT35, GWT50**

**PARTS LIST**

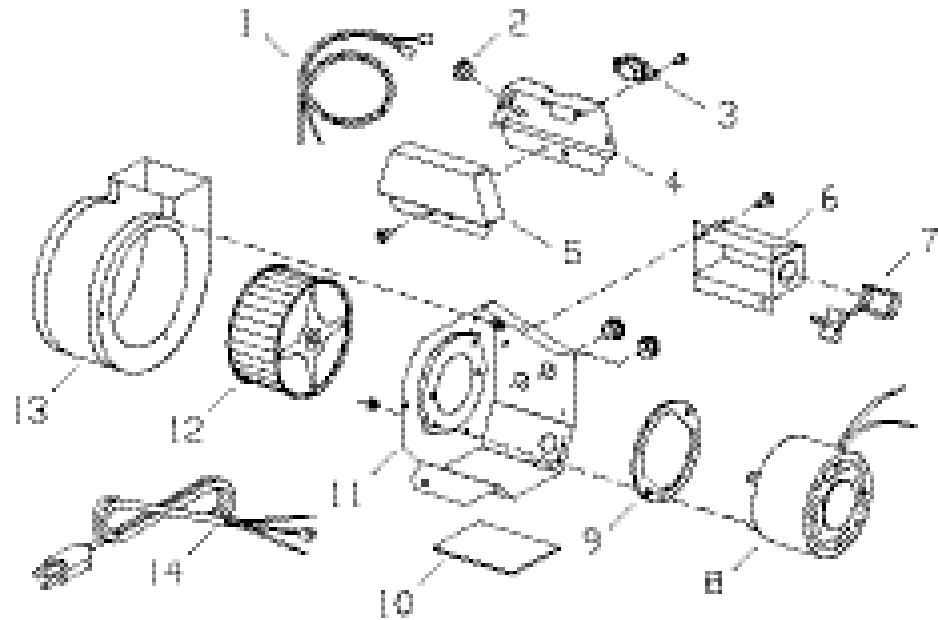
Index No.	Part Number	Description
1	R2204	CORD SET
2	R1468	STRAIN RELIEF BUSHING
3	GWT192	BLOWER HOUSING ASSEMBLY
4	R1454	BRASS BUSHING (4 REQUIRED)
5	GWT197	BLOWER SIDE (2 REQUIRED)
6	R3085	WIRE ASSEMBLY
7	R2503	FAN SWITCH
8	GWT196	BLOWER FRONT
9	R1499	RUBBER GROMMET (4 REQUIRED)
10	R2804A	BLOWER MOTOR



**ACCESSORY PARTS**

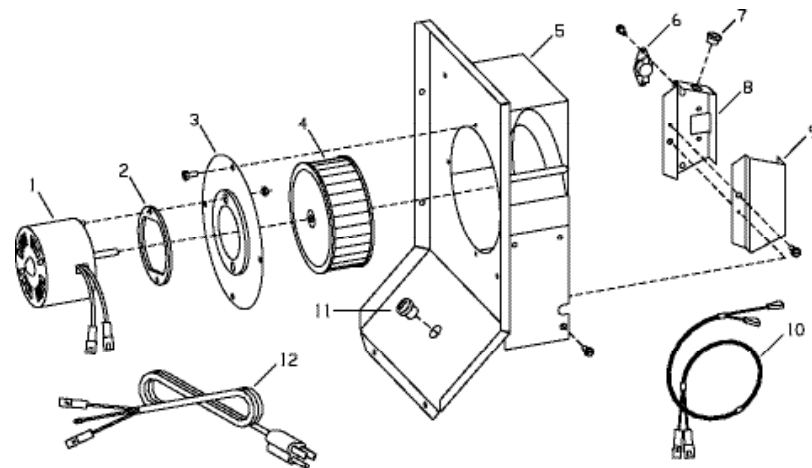
**DVB-1**  
for all DV-210/213/215  
**PARTS LIST**

Index No.	Part Number	Description
1	R1268	WIRE HARNESS - FAN SWITCH
2	R896	BUSHING (THREE REQUIRED)
3	R1156	FAN SWITCH
4	DV806	SWITCH BOX
5	DV807	SWITCH BOX COVER
6	TH111	JUNCTION BOX
7	R1410	BUSHING (STRAIN RELIEF)
8	R285	MOTOR
9	R587	GASKET - MOTOR MOUNTING
10	TH080	BLOWER CUSHION
11	TH356	MOTOR SUPPORT
12	R319	BLOWER WHEEL
13	TH135	BLOWER HOUSING
14	R315	CORD SET



**DRB-1**  
for all DV-25/35 & RH25/35  
**PARTS LIST**

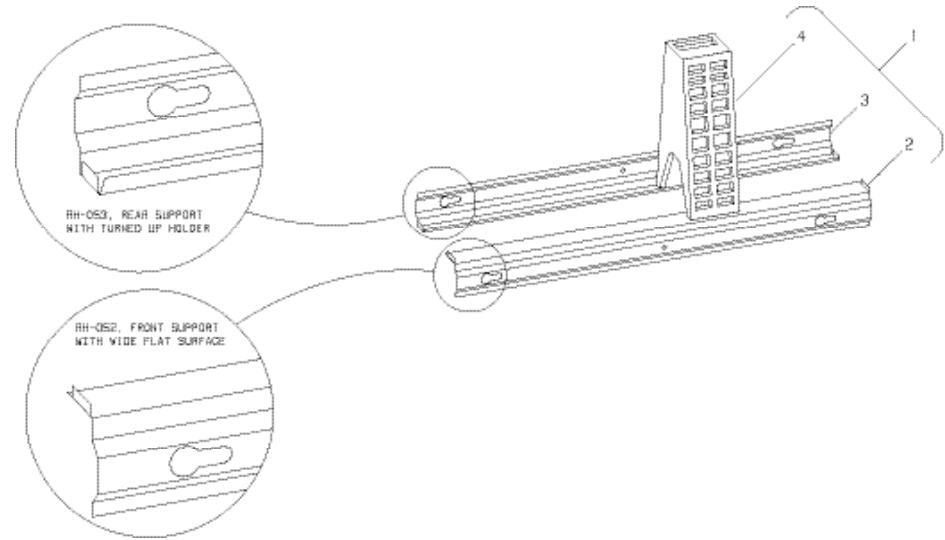
Index No.	Part Number	Description
1	R2090	MOTOR
2	R587	GASKET - MOTOR MOUNTING
3	RH036	MOTOR SUPPORT
4	R469	BLOWER WHEEL
5	RH710	BLOWER HOUSING ASSEMBLY
6	R1156	FAN SWITCH
7	R896	BUSHING
8	DV806	SWITCH BOX
9	DV807	SWITCH BOX COVER
10	R2091	WIRE HARNESS 19"
11	R1468	BUSHING
12	R2099	CORD SET



**ACCESSORY  
PARTS**

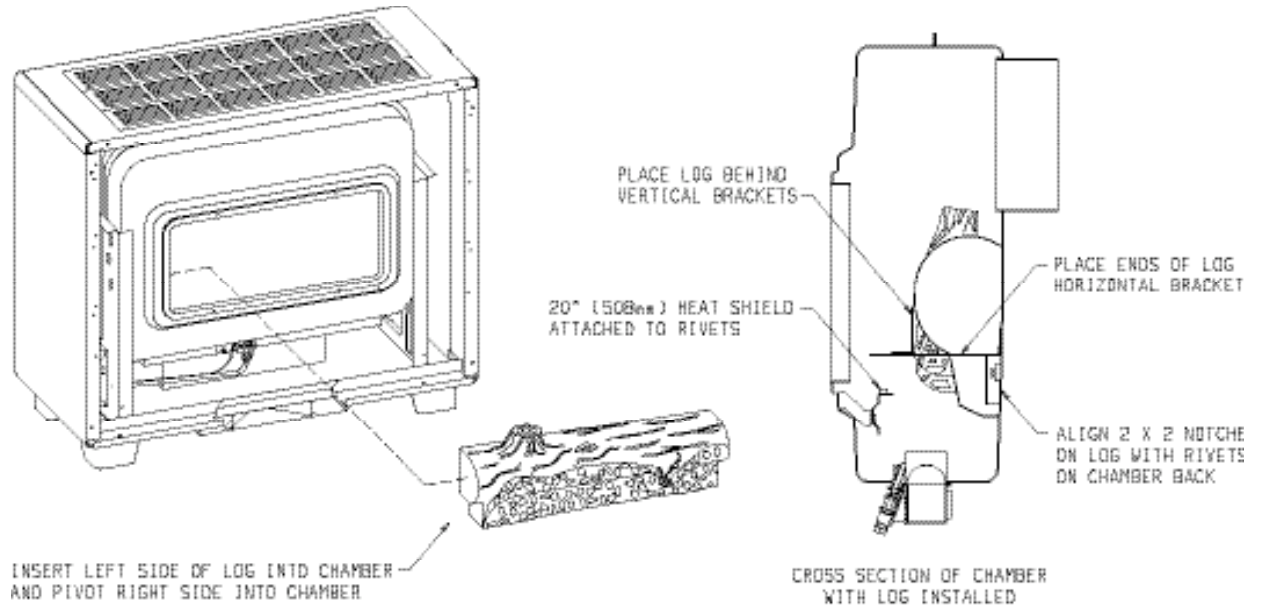
**Optional RAD-8 Radiants**  
**All RH-50/65, RH350/370**  
**PARTS LIST**

Index No.	Part Number	Description
1	RAD-8	RADIANT PACKAGE COMPLETE (INCLUDES 2,3, AND 4)
2	RH052	RADIANT SUPPORT - FRONT
3	RH053	RADIANT SUPPORT - REAR
4	862054	RADIANT (8 REQUIRED)



**RHL-1**  
**For RH-50/65 (-4 & -5)**  
**PARTS LIST**

Index No.	Part Number	Description
1	R2648	CERAMIC LOG
2	RH052	20" (508MM) SUPPORT
3	RH852	GLASS FRAME WITH CERAMIC GLASS
4	R2813	REPLACEMENT CERAMIC GLASS
5	RH454	FRAME FOR CERAMIC GLASS



**ACCESSORY PARTS**

**DVE-1**  
for DV20E and DV40E  
PARTS LIST

Quantity Supplied	Part Number	Description
1	R2626	54" (137CM) BLACK COMPLETE FLOCKED EXHAUST PIPE
1	R2537	60" (152CM) BLACK INLET HOSE
2	R2513	SILICONE ELBOWS
2	DV1121	VENT SUPPORT BRACKET HALVES
1	DV1102	INLET SHIELD
6	R2539	HOSE CLAMPS
2	R1996	PLASTIC EXPANSION ANCHORS
2	R1133	SCREWS #10 X 1" (25MM)
2	R1132	SCREWS #10 X 1/2" (13MM)

**DVE-2**  
for DV20E and DV40E  
PARTS LIST

Quantity Supplied	Part Number	Description
1	R2626	54" (137CM) BLACK COMPLETE FLOCKED EXHAUST PIPE
1	R2537	60" (152CM) BLACK INLET HOSE
1	R2790	SILICONE COUPLING
1	R2601	METAL COUPLING
2	DV1121	VENT SUPPORT BRACKET HALVES
4	R2539	HOSE CLAMPS
2	R1133	SCREWS #10 X 1" (25MM)
2	R1996	PLASTIC EXPANSION ANCHORS

**DV-1132**  
for DV20E and DV40E  
PARTS LIST

Quantity Supplied	Part Number	Description
1	R2513	ELBOW KIT
2	R2539	HOSE CLAMPS

**ACCESSORY  
PARTS**