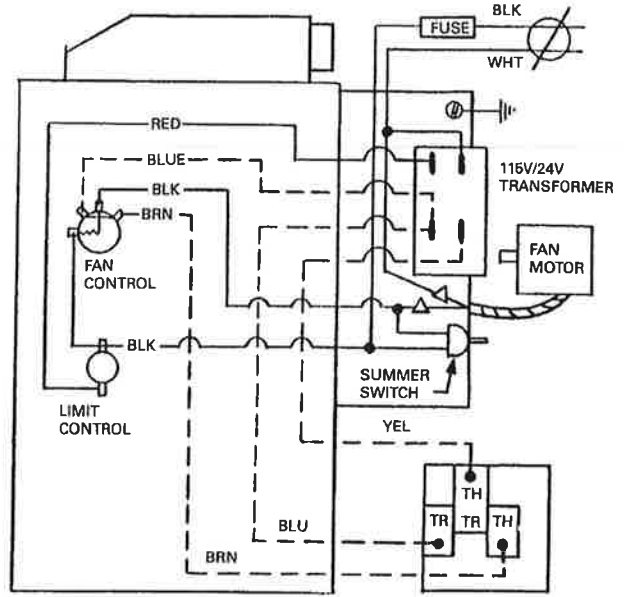
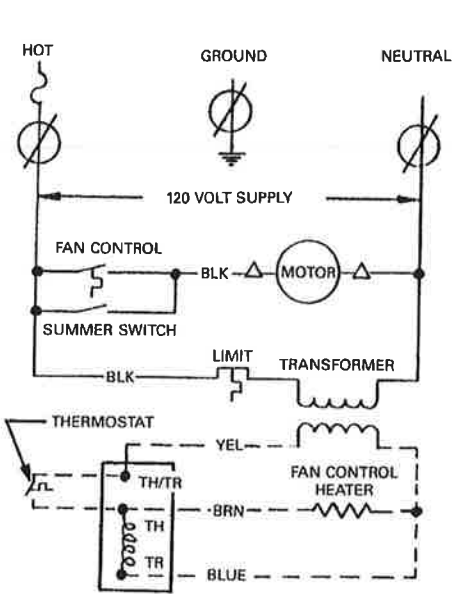


FSP WIRING DIAGRAM



THERMOSTATE CONNECTS ACROSS YEL & BRN TERMINALS

- If any of the original wire as supplied with this unit must be replaced, it must be replaced with No. 18, 105°C wire or its equivalent.
- On units with dual motors, the additional duplicate motor is connected at the location of this symbol — Δ.
- Electrical circuits — alternating current, 60 hertz (cycles).
- Supply voltage — 115 volts single phase.
 - 120 volts
 - 24 volts

FIP WIRING DIAGRAM

