

PARTS LIST

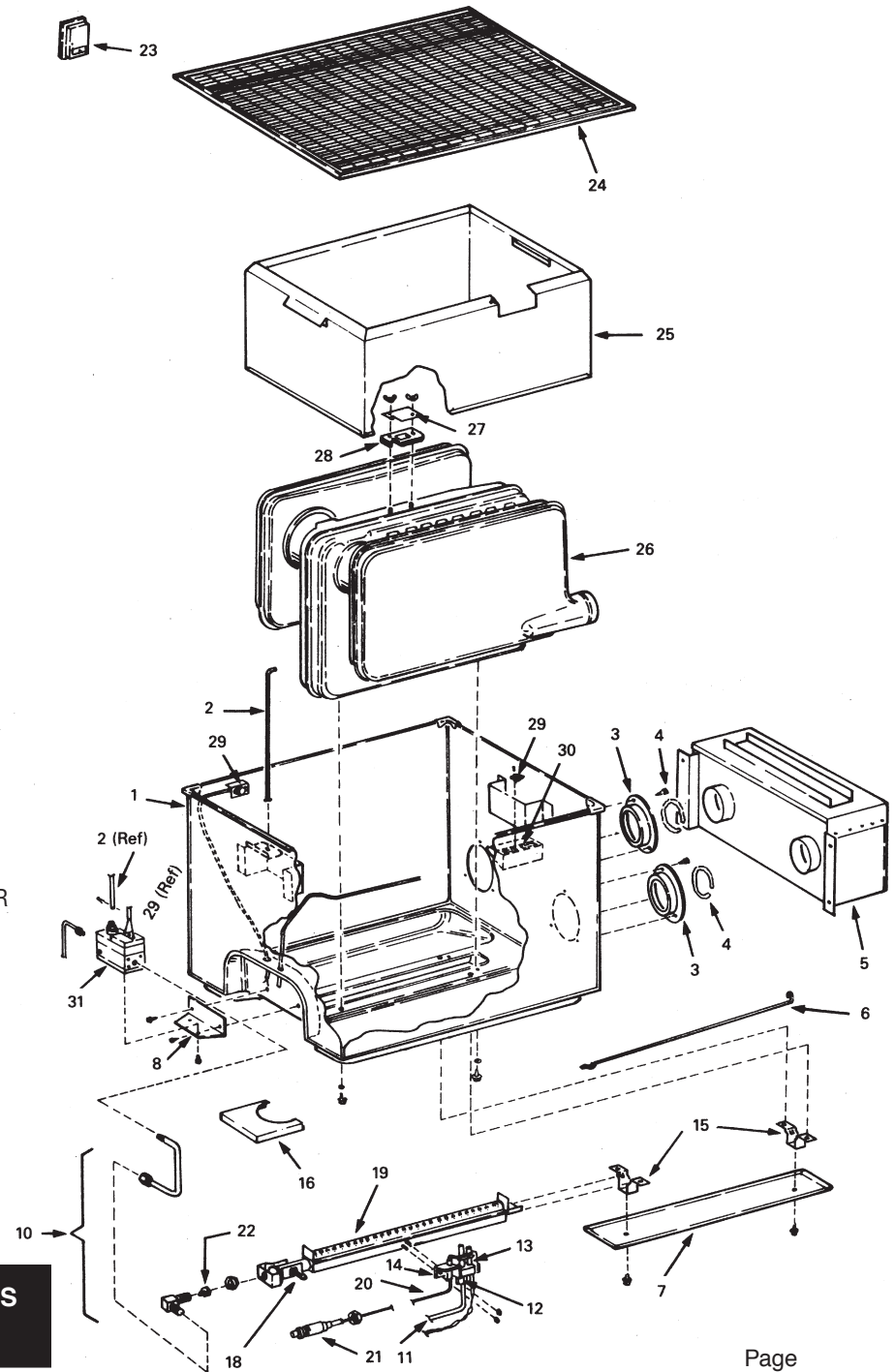
INDEX NO.	3577-S	5077-S	7077-S	DESCRIPTION
1	FF139	FF267	FF269	OUTER CASING
2	FF092	FF174	FF174	CONTROL ROD
3	FF038	FF016	FF038	FLANGE TUBE OUTLET
4	FF189	FF190	FF189	GASKET FLANGE TUBE OUTLET
5	FF066	FF032	FF027	DRAFT DIVERTER
6	FF169	FF169	FF169	LIGHTER ROD
7	FF078	FF077	FF077	DEBRIS PAN
8	FF103	FF103	FF103	VALVE BRACKET
10	P150	P150	P150	MANIFOLD ASSEMBLY
11	FF183	FF184	FF184	PILOT TUBING W/ FERRULES
12	R772N	R921N	R921N	PILOT ORIFICE-NAT.
12	R772L	R921L	R921L	PILOT ORIFICE-LP
13	R1227	R715N	R715N	PILOT W/THERMOCOUPLE-NAT.
13	762227	R715L	R715L	PILOT W/THERMOCOUPLE-LP
13A	R942	672010	672010	THERMOCOUPLE
14	—	FF245	FF245	PILOT BRACKET
15	—	FF212	FF211	BURNER MOUNTING BRACKETS
16	—	FF243	FF243	WATER PAN
18	—	R2133	R2133	AIR ADJUSTMENT BOLT
* 19	M150	R937	R937	BURNER
20	FF163	732039	732039	ELECTRODE AND WIRE
21	R854	R854	R854	PIEZO IGNITOR
22	P8637	P8631	P8625	BURNER ORIFICE-NAT.
22	P8652	P8647	P8643	BURNER ORIFICE-LP
23	R1226	R1226	R1226	WALL THERMOSTAT (MILLIVOLT)
24	FF186	FF187	FF188	REGISTER
25	FF018	FF268	FF270	INNER CASING
26	FF003	FF272	FF273	COMBUSTION CHAMBER
27	RH215	RH215	RH215	PLATE FOR OBSERVATION HOLE COVER
28	DV722	DV722	DV722	OBSERVATION HOLE COVER W/MICA
29	R480	R480	R480	LIMIT SWITCH
30	FF286	FF287	FF288	CAUTION PLATE ASSEMBLY
31	12276	12277	12277	VALVE-LP
31	12278	12279	12279	VALVE-NAT.

CONVERSION KIT

TO NATURAL	MODEL NUMBER
682133	3577-S
682118	5077-S
682138	7077-S

** PILOT WITHOUT THERMOCOUPLE

**3577-S, 5077-S
7077-S**



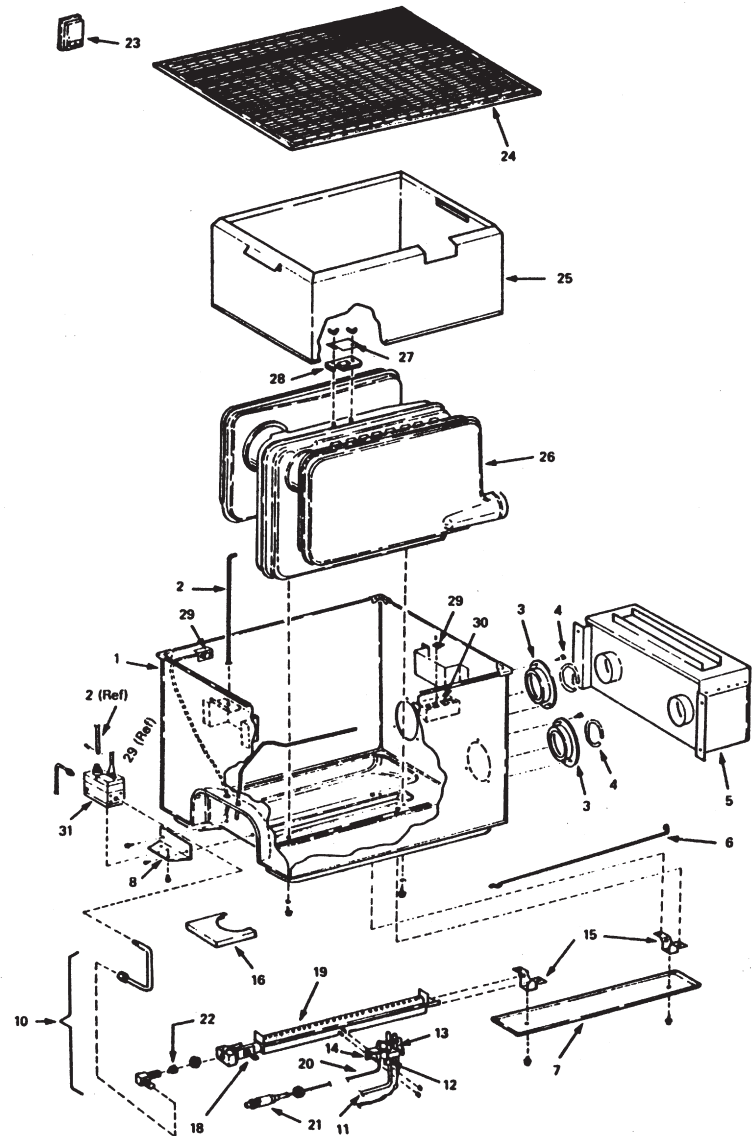
PARTS LIST

Index No.	3588	5088	7088	Description
1	FF139	FF267	FF269	Outer Casing
2	FF092	FF174	FF174	Control Rod
3	FF038	FF016	FF038	Flange Tube Outlet
4	FF189	FF190	FF189	Gasket Flange Tube Outlet
5	FF066	FF032	FF027	Draft Diverter
6	FF169	FF169	FF169	Lighter Rod
7	FF078	FF077	FF077	Debris Pan
8	881071	881071	881071	Valve Bracket
10	P158	P158	P158	Manifold Assembly
11	FF261	FF266	FF266	Pilot Tubing w/ Ferrules
12	742153	R1233	R1233	Pilot Orifice - Nat.
12	R1230	R1234	R1234	Pilot Orifice - LP
13	R1227	R1231	R1231	Pilot - Nat.
13	R1228	R1232	R1232	Pilot - LP
13	R1216	R1216	R1216	Thermocouple (NS)
14	—	FF245-1	FF245-1	Pilot Bracket
15	—	FF212	FF211	Burner Mounting Brackets
16	—	FF243	FF243	Water Pan
18	—	R2133	R2133	Air Adjustment Bolt
19	M150	R937	R937	Burner
20	FF163	732039	732039	Electrode and Wire
21	R854	R854	R854	Piezo Ignitor
22	P8637	P8631	P8625	Burner Orifice - Nat.
22	P8652	P8647	P8643	Burner Orifice - LP
23	R1226	R1226	R1226	Wall Thermostat (millivolt)
24	FF186	FF187	FF188	Register
25	FF018	FF268	FF270	Inner Casing
26	FF003	FF272	FF273	Combustion Chamber
27	DV064	DV064	DV064	Plate for Observation Hole Cover
28	DV781	DV781	DV781	Observation Hole Cover W/MICA
29	R480	R1267	R1267	Limit Switch
30	FF286	FF287	FF288	Caution Plate Assembly
31	R5605	R5605	R5605	Valve-LP 7000 MVRLC
31	R5606	R5606	R5606	Valve-Nat. 7000 MVRLC
32	8720110	8720110	8720110	Terminal Board (NS) (no longer available)
33	8720111	8720111	8720111	Jumper Wire 6" (NS) (no longer available)
34	8720112	8720112	8720112	Jumper Wire 10" (NS) (no longer available)
35	881072	881072	881072	Terminal Board Bracket (NS) (no longer available)

Conversion Kit

To LP	To Natural	Model Number
682266	682157	3588
682267	682158	5088
682268	682159	7088

**3588, 5088
7088**



PARTS LIST

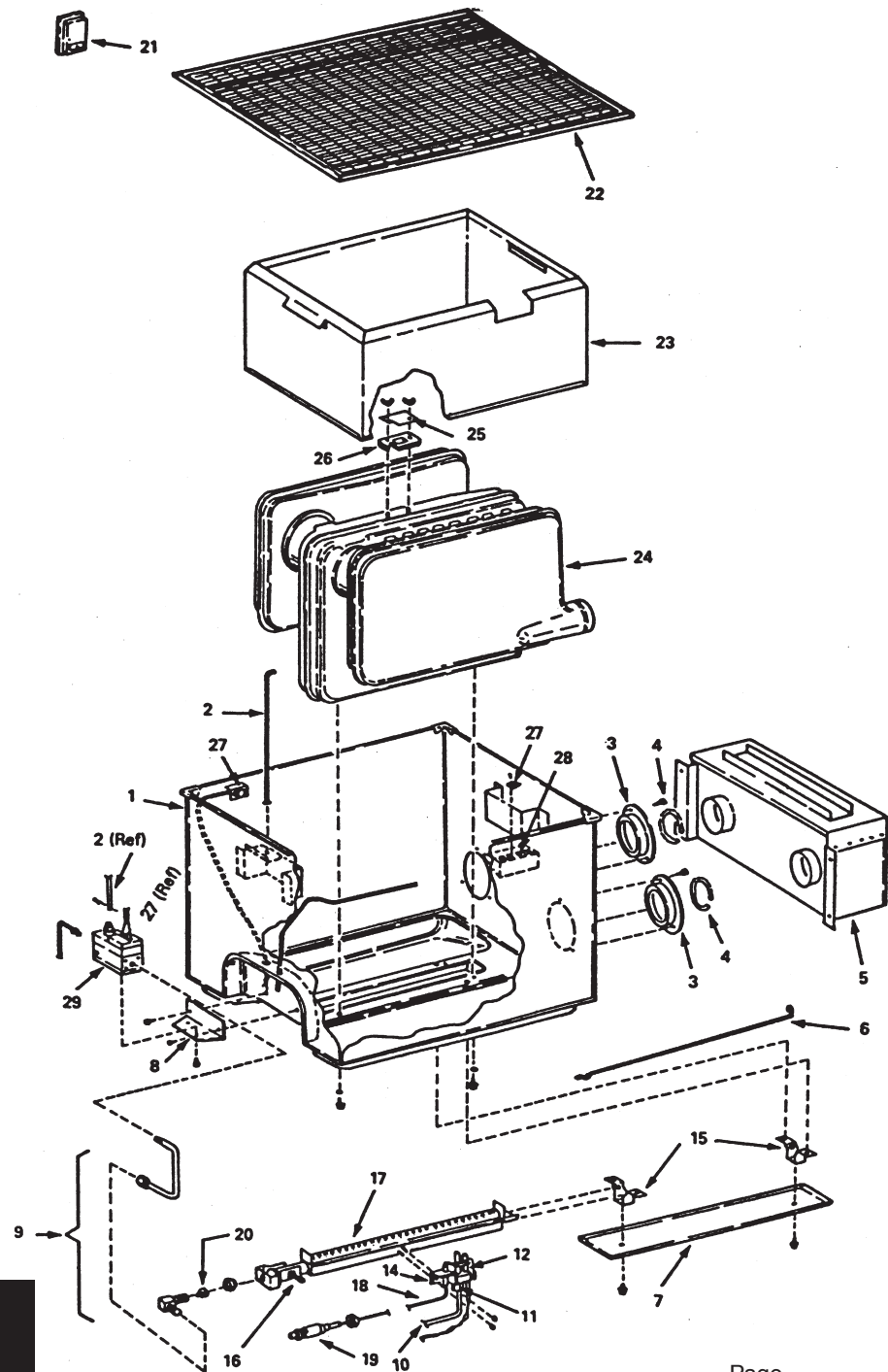
INDEX NO.	3588-1	5088-1	7088-1	DESCRIPTION
1	FF139	FF267	FF269	OUTER CASING
2	FF092	FF174	FF174	CONTROL ROD
3	FF038	FF016	FF038	FLANGE TUBE OUTLET
4	FF189	FF190	FF189	GASKET FLANGE TUBE OUTLET
5	FF066	FF032	FF027	DRAFT DIVERTER
6	FF169	FF169	FF169	LIGHTER ROD
7	FF078	FF077	FF077	DEBRIS PAN
8	FF103	FF103	FF103	VALVE BRACKET
9	P150	P150	P150	MANIFOLD ASSEMBLY
10	FF183	FF184	FF184	PILOT TUBING W/FERRULES
11	R1081	R921N	R921N	PILOT ORIFICE-NAT.
11	R1089	R921L	R921L	PILOT ORIFICE-LP
12	* R1227	R715N	R715N	PILOT W/THERMOCOUPLE-NAT.
12	* R1228	R715L	R715L	PILOT W/THERMOCOUPLE-LP
13	R942	672010	672010	THERMOCOUPLE (NS)
14	—	FF245	FF245	PILOT BRACKET
15	—	FF212	FF211	BURNER MOUNTING BRACKETS
16	—	R2133	R2133	AIR ADJUSTMENT BOLT
17	M150	R937	R937	BURNER
18	FF163	732039	732039	ELECTRODE AND WIRE
19	R854	R854	R854	PIEZO IGNITOR
20	P8637	P8631	P8625	BURNER ORIFICE-NAT.
20	P8652	P8647	P8643	BURNER ORIFICE-LP
21	R1226	R1226	R1226	WALL THERMOSTAT (MILLIVOLT)
22	FF186	FF187	FF188	REGISTER
23	FF018	FF268	FF270	INNER CASING
24	FF003	FF272	FF273	COMBUSTION CHAMBER
25	DV064	DV064	DV064	PLATE FOR OBSERVATION HOLE COVER
26	DV781	DV781	DV781	OBSERVATION HOLE COVER W/MICA
27	R480	R1267	R1267	LIMIT SWITCH
28	FF286	FF287	FF288	CAUTION PLATE ASSEMBLY
29	12276	12276	12277	VALVE-LP
29	12278	12278	12279	VALVE-NAT.

CONVERSION KIT

TO NATURAL	MODEL NUMBER
682133	3588-1
682118	5088-1
682138	7088-1

* PILOT BURNER WITHOUT THERMOCOUPLE

**3588-1, 5088-1
7088-1**



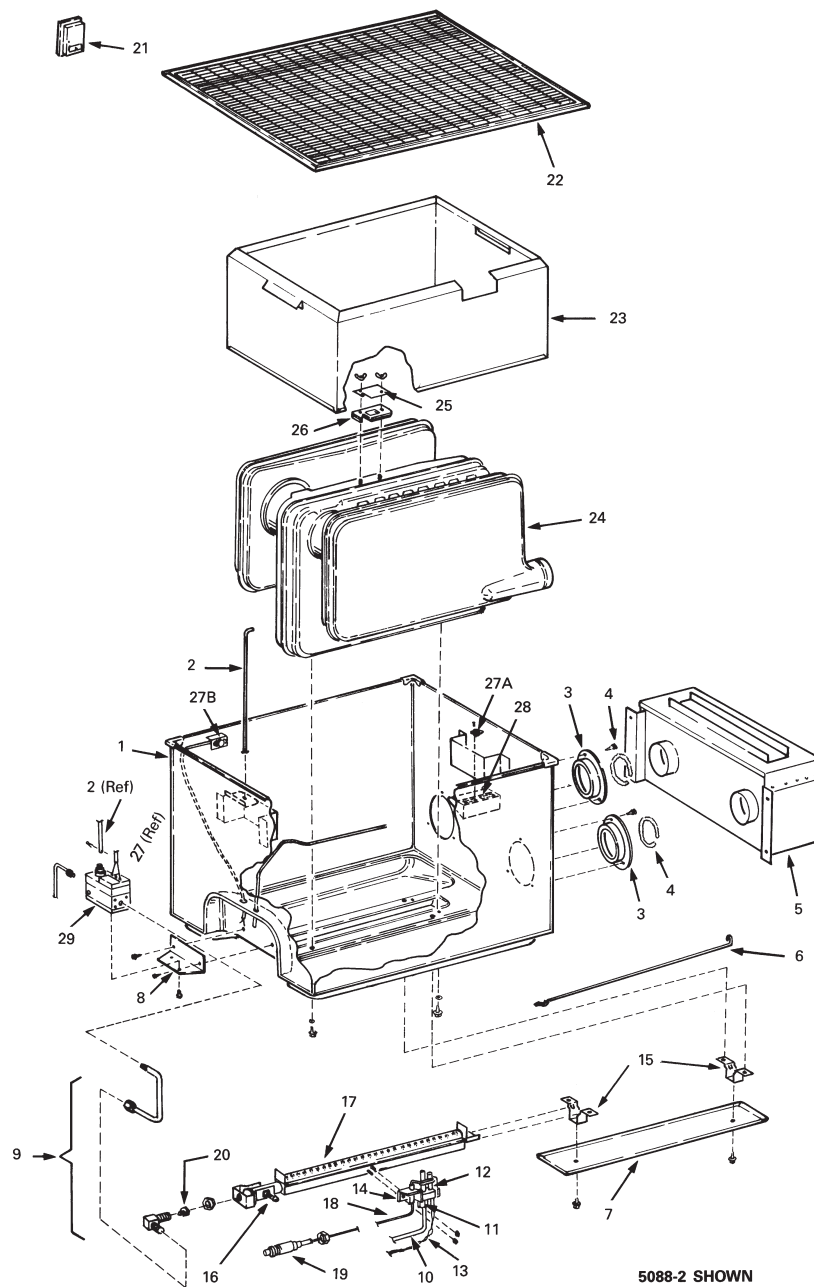
PARTS LIST

INDEX NO.	3588-2	5088-2	7088-2	DESCRIPTION
1	FF139	FF267	FF269	OUTER CASING
2	FF092	FF174	FF174	CONTROL ROD
3	FF038	FF016	FF038	FLANGE TUBE OUTLET
4	FF189	FF190	FF189	GASKET FLANGE TUBE OUTLET
5	FF066	FF032	FF027	DRAFT DIVERTER
6	FF169	FF169	FF169	LIGHTER ROD
7	FF078	FF077	FF077	DEBRIS PAN
8	FF103	FF103	FF103	VALVE BRACKET
9	P150	P150	P150	MANIFOLD ASSEMBLY
10	FF183	FF184	FF184	PILOT TUBING W/ FERRULES
11	R1081	R921N	R921N	PILOT ORIFICE-NAT.
11	R1089	R921L	R921L	PILOT ORIFICE-LP
12	* R1227	R715N	R715N	PILOT BURNER W/THERMOPILE-NAT.
12	* R1228	R715L	R715L	PILOT BURNER W/THERMOPILE-LP
13	R942	672010	672010	THERMOPILE (NS)
14	—	FF245	FF245	PILOT BRACKET
15	—	FF212	FF211	BURNER MOUNTING BRACKETS
16	—	R2133	R2133	AIR ADJUSTMENT BOLT
17	M150	R937	R937	BURNER
18	FF163	732039	732039	ELECTRODE AND WIRE
19	R854	R854	R854	PIEZO W/NUT (PRE "P" SERIAL NUMBER)
19	R2708	R2708	R2708	PIEZO PUSH-IN TYPE ("P" SERIAL NUMBER & LATER)
20	P8637	P8631	P8625	BURNER ORIFICE-NAT.
20	P8652	P8647	P8643	BURNER ORIFICE-LP
21	R1226	R1226	R1226	WALL THERMOSTAT (MILLIVOLT)
22	FF186	FF187	FF188	REGISTER
23	**	FF268	FF270	INNER CASING
24	FF003	FF272	FF273	COMBUSTION CHAMBER
25	DV064	DV064	DV064	PLATE FOR OBSERVATION HOLE COVER
26	DV781	DV781	DV781	OBSERVATION HOLE COVER W/MICA
27 A	R1820	R1822	R1822	REGISTER LIMIT SWITCH
27 B	R1821	R1821	R1821	PRIMARY LIMIT SWITCH
28	FF286	FF287	FF288	CAUTION PLATE ASSEMBY
29	12276	12277	12277	VALVE-LP B67SAL185
29	12278	12279	12279	VALVE-NAT. B67RA87

CONVERSION KIT

TO NATURAL	MODEL NUMBER
682133	3588-2
682118	5088-2
682138	7088-2

- * PILOT BURNER WITHOUT THERMOPILE
- ** INNER CASING PRE "P" SERIAL NUMBER PART # FF018,
- ** INNER CASING "P" SERIAL NUMBER AND LATER IS FF291.



**3588-2, 5088-2
7088-2**

PARTS LIST

INDEX NO.	3588-3	5088-3	7088-3	DESCRIPTION
1	FF139	FF267	FF269	OUTER CASING
2	FF294	FF295	FF295	CONTROL ROD
3	FF038	FF016	FF038	FLANGE TUBE OUTLET
4	FF189	FF190	FF189	GASKET FLANGE TUBE OUTLET
5	FF066	FF032	FF027	DRAFT DIVERTER
6	FF169	FF169	FF169	LIGHTER ROD
7	FF078	FF077	FF077	DEBRIS PAN
8	FF293	FF293	FF293	VALVE BRACKET
9	P261	P262	P262	MANIFOLD ASSEMBLY
10	FF296	FF297	FF297	PILOT TUBING WITH FERRULES
11	R1081	R921N	R921N	PILOT ORIFICE-NATURAL GAS
11	R1089	R921L	R921L	PILOT ORIFICE-LP GAS
12	R1227	R715N	R715N	PILOT BURNER WITH THERMOPILE-NATURAL GAS
12	R1228	R715L	R715L	PILOT BURNER WITH THERMOPILE-LP GAS
13	R942	672010	672010	THERMOPILE
14	—	FF245	FF245	PILOT BRACKET
15	—	FF212	FF211	BURNER MOUNTING BRACKETS
16	—	R2133	R2133	AIR ADJUSTMENT BOLT
17	M150	R937	R937	BURNER
18	732010	732039	732039	ELECTRODE AND WIRE
19	R2313	R2313	R2313	PIEZO IGNITOR
20	P8637	P8631	P8625	BURNER ORIFICE-NATURAL GAS
20	P8652	P8647	P8643	BURNER ORIFICE-LP GAS
21	R1226	R1226	R1226	WALL THERMOSTAT 750 MILLIVOLT
22	R5624	R5625	R5626	REGISTER
23	FF291	FF268	FF270	INNER CASING
24	FF003	FF272	FF273	COMBUSTION CHAMBER
25	DV064	DV064	DV064	PLATE FOR OBSERVATION HOLE COVER
26	DV781	DV781	DV781	OBSERVATION HOLE COVER WITH MICA
27A	R1820	R1822	R1822	REGISTER LIMIT SWITCH
27B	R1821	R1821	R1821	PRIMARY LIMIT SWITCH
28	FF298	FF299	FF300	CAUTION PLATE ASSEMBLY
29	R5605	R5605	R5605	VALVE-LP GAS
29	R5606	R5606	R5606	VALVE-NATURAL GAS

CONVERSION KIT

TO LP	TO NATURAL	MODEL NUMBER
682266	682157	3588
682267	682158	5088
682268	682159	7088

**3588-3, 5088-3
7088-3**

