

PARTS LIST

UH1000-1(FSP, FIP) Series; UH2000-1(FSP, FIP) Series

Ref. No.	Part Description	1050	2050-1	2080-1	2100-1	2120-1	2140-1	2160-1		2180-1	2230-1	2290-1
			2050	2075	2100	2125	2150	1200	1225	1250	1300	1350/ 1400
1.	WIRE HARNESSVENT SAFETY	R1933	R1933	R1933	R1933	R1933	R1934	R1934	R1934	R1934	R1935	R1935
2.	VENT SAFETY SWITCH (3) (5)	R1876	R1876	R1876	R1876	R1876	R1876	R1876	R1876	R1876	R1876	R1876
	VENT SAFETY SWITCH (4) (5)	_____	R1877	R1877	R1877	R1877	R1877	_____	R1877	R1877	R1877	R1877
3.	DRAFT DIVERTER (3)	UH487	UH664	UH665	UH484	UH482	UH068	UH013	UH290	UH310	UH346	UH347
	DRAFT DIVERTER (4)	_____	UH672	UH673	UH674	UH675	UH456	UH780	_____	UH781	UH782	UH783
4.	TUBE BAFFLE	UH008	UH008	UH008	UH008	UH008	UH198	UH198	UH198	UH198	UH198	UH198
5.	COMBUSTION CHAMBER	UH002	UH001	UH277	UH278	UH279	UH280	UH281	UH282	UH239	UH240	UH301
6.	SIDE PLATE (LEFT)	UH044	UH044	UH044	UH044	UH044	UH160	UH160	UH160	UH160	UH160	UH160
7.	HANGER BRACKET (LEFT)	UH392	UH392	UH392	UH392	UH392	UH392	UH392	UH392	UH392	UH392	UH392
8.	SIDE PLATE STIFFENER	UH272	UH272	UH272	UH272	UH272	UH272	UH272	UH272	UH272	UH272	UH272
9.	OUTER CASING SIDE PANEL (LEFT)	UH052	UH052	UH052	UH052	UH052	UH171	UH171	UH171	UH171	UH171	UH171
10.	CIRCULATING AIR BAFFLE	UH206	UH029	UH009	UH130	UH140	UH158	UH211	UH212	UH248	UH249	UH299
11.	FAN HOUSING	UH208	UH103	UH038	UH131	UH291	UH041	UH042	UH388	UH293	UH294	UH241
12.	LOWER PANEL (REAR)	_____	_____	_____	_____	UH147	UH148	UH149	UH264	UH295	UH296	UH297
13.	FAN GUARD GROMMET PACKAGE	UH979	UH979	UH979	UH979	UH979	UH978	UH978	UH978	UH978	UH979	UH978
14.	MODULE IP (2) NAT.	R1049	R1049	R1049	R1049	R1049	R1049	R1049	R1049	R1049	R1049	R1049
	MODULE IP (2) LP	762244	762244	762244	762244	762244	762244	762244	762244	762244	762244	762244
15.	WIRE HARNESS MODULE (2) NAT.	R1047	R1047	R1047	R1047	R1047	R1047	R1047	R1047	R1047	R1047	R1047
	WIRE HARNESS MODULE (2) LP	R1048	R1048	R1048	R1048	R1048	R1048	R1048	R1048	R1048	R1048	R1048
16.	FAN BLADE	R806	R807	R808	R809	R809	R811	R811	R811	R811	R809	R811
17.	FAN GUARD	UH679	UH679	UH479	UH680	UH680	UH681	UH681	UH681	UH681	UH680	UH681
18.	MOTOR	R2492	R2492	R2493	R2494	R2494	R2495	R2495	R2495	R2495	R2494	R2495
19.	FLAME CARRYOVER PACKAGE	UH548	UH549	UH550	UH814	UH815	UH816	UH817	UH818	UH819	UH820	UH821
20.	BURNER RACK (INCLUDES 19)	UH283	UH284	UH010	UH285	UH286	UH287	UH288	UH289	UH302	UH303	UH304
†21.	PILOT BRACKET (JOHNSON PILOT)	UH117	UH112	UH024	UH111	UH113	UH114	UH115	UH116	UH178	UH179	UH204
†21.	PILOT BRACKET (ITT PILOT)	UH795	UH796	UH797	_____	_____	_____	_____	_____	_____	_____	_____
22.	PRIMARY AIR PLATE	UH176	UH106	UH016	UH133	UH134	UH135	UH136	UH137	UH218	UH823	UH824
23.	BURNER ORIFICE (3) NAT.	P8850	P8849	P8849	P8849	P8849	P8849	P8849	P8849	P8849	P8849	*
	BURNER ORIFICE (3) LP	P8859	P88045	P88045	P88045	P88045	P88045	P88045	P88045	P88045	P88045	**
	BURNER ORIFICE (4) NAT.	_____	P8853	P8851	P8852	P8851	P8850	P8851	_____	P8852	P8852	P8852
	BURNER ORIFICE (4)LP	_____	P8864	P8859	P8861	P8859	P8858	P8860	_____	P8861	P8860	P8861
24.	MANIFOLD	UH387	UH185	UH186	UH187	UH271	UH189	UH190	UH275	UH349	UH351	UH352
25.	VALVE (1) NAT.	R1096	R1096	R1096	R1096	R1096	R1097	R1097	R1097	R1098	R1098	R1098

**UH-1000'S
THRU
UH-2000'S**

NOTE:	(1) FSP UNITS ONLY	(4) UH2000 SERIES ONLY
	(2) FIP UNITS ONLY	(5) -1 UNIT HEATERS ONLY
	(3) UH1000 SERIES ONLY	

* Nat UH1350 / P8850, UH1400 / P8849
 ** LP UH1350 / P8857, UH1400 / P88045

PARTS LIST

UH1000-1(FSP, FIP) Series; UH2000-1(FSP, FIP) Series

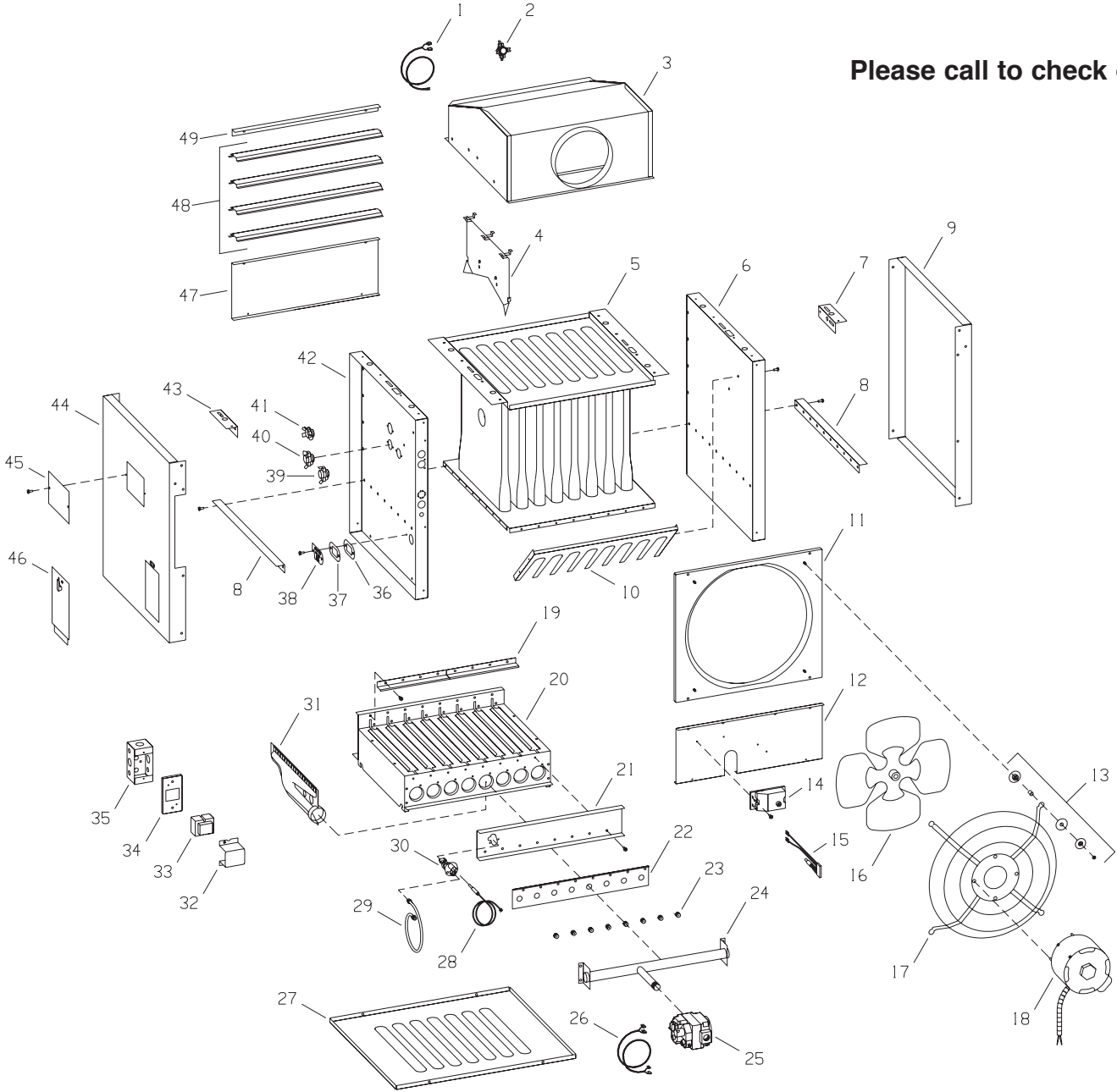
Ref. No.	Part Description	1050	2050-1	2080-1	2100-1	2120-1	2140-1	2160-1		2180-1	2230-1	2290-1
			2050	2075	2100	2125	2150	1200	1225	1250	1300	1350/ 1400
	VALVE (1) LP	R1099	R1099	R1099	R1099	R1099	R1100	R1100	R1100	R1101	R1101	R1101
	VALVE (2) NAT.	R1041	R1041	R1041	R1041	R1041	R1043	R1043	R1043	R1043	R1043	R1043
	VALVE (2) LP	R1044	R1044	R1044	R1044	R1044	R1046	R1046	R1046	R1046	R1046	R1046
26.	ECO LEAD ASSEMBLY (1)	R1103C	R1103C	R1103C	R1103C	R1103C	R1103C	R1103C	R1103C	R1103C	R1103C	R1103C
27.	OUTER CASING BOTTOM	UH167	UH110	UH003	UH132	UH144	UH146	UH193	UH194	UH195	UH196	UH197
†28.	THERMOCOUPLE (1)	R3663	R3663	R3663	R3663	R3663	R3664	R3664	R3664	R3664	R3664	R3664
	FLAME SENSOR (2)	R1051	R1051	R1051	R1051	R1051	R1051	R1051	R1051	R1051	R1051	R1051
29.	PILOT TUBING W/FERRELLS	UH444	UH444	UH443	UH443	UH444	UH445	UH445	UH445	UH445	UH445	UH445
†30.	PILOT (1) NAT. (JOHNSON)	R758N	R758N	R758N	R758N	R758N	R758N	R758N	R758N	R758N	R758N	R758N
	NAT. (ITT)	R2200	R2200	R2200	_____	_____	_____	_____	_____	_____	_____	_____
	LP (JOHNSON)	R758L	R758L	R758L	R758L	R758L	R758L	R758L	R758L	R758L	R758L	R758L
	LP (ITT)	R2201	R2201	R2201	_____	_____	_____	_____	_____	_____	_____	_____
	PILOT (2) NAT.	R895N	R895N	R895N	R895N	R895N	R895N	R895N	R895N	R895N	R895N	R895N
	LP	R895L	R895L	R895L	R895L	R895L	R895L	R895L	R895L	R895L	R895L	R895L
31.	BURNER	UH019	UH019	UH019	UH019	UH019	UH019	UH019	UH019	UH019	UH019	UH019
32.	TRANSFORMER BRACKET	UH810	UH810	UH810	UH810	UH810	UH810	UH810	UH810	UH810	UH810	UH810
33.	TRANSFORMER (20 VA)	R1995	R1995	R1995	R1995	R1995	R1995	R1995	R1995	R1995	R1995	R1995
34.	JUNCTION BOX COVER	UH451	UH451	UH451	UH451	UH451	UH451	UH451	UH451	UH451	UH451	UH451
35.	JUNCTION BOX	DV572	DV572	DV572	DV572	UH273	UH273	UH273	UH273	UH273	UH273	UH273
36.	GASKET OBSERVATION COVER (2)	M155	7120978	M155	M155	M155	M155	M155	M155	M155	M155	M155
37.	Observation Hole Cover w/Mica (2)	DV781	DV781	DV781	DV781	DV781	DV781	DV781	DV781	DV781	DV781	DV781
38.	Plate for Observation Hole Cover(1)	DV064	DV064	DV064	DV064	DV064	DV064	DV064	DV064	DV064	DV064	DV064
39.	LIMIT SWITCH (E.C.O.) (1)	R911	R911	R911	R911	R911	R911	R911	R911	R911	R911	R911
40.	LIMIT SWITCH	R893	R893	R893	R893	***	R893	R893	R893	R893	R893	R893
41.	FAN SWITCH	R760	R760	R760	R760	R760	R760	R760	R760	R760	R760	R760
42.	SIDE PLATE (RIGHT)	UH045	UH045	UH045	UH045	UH045	UH159	UH159	UH159	UH159	UH159	UH159
43.	HANGER BRACKET (RIGHT)	UH391	UH391	UH391	UH391	UH391	UH391	UH391	UH391	UH391	UH391	UH391
44.	OUTER CASING SIDE PANEL (RIGHT)	UH053	UH053	UH053	UH053	UH053	UH172	UH172	UH172	UH172	UH172	UH172
45.	ACCESS PLATE	UH442	UH442	UH442	UH442	UH442	UH442	UH442	UH442	UH442	UH442	UH442
46.	COVER PLATE	UH822	UH822	UH822	UH822	UH822	UH822	UH822	UH822	UH822	UH822	UH822
47.	LOWER PANEL (FRONT)	UH079	UH078	UH077	UH080	UH081	UH082	UH083	UH084	UH085	UH086	UH087
48.	HORIZONTAL LOUVERS	UH088	UH089	UH090	UH091	UH092	UH093	UH094	UH095	UH096	UH097	UH098
49.	FRONT COVER FLANGE	UH399	UH401	UH402	UH403	UH404	UH405	UH406	UH407	UH408	UH409	UH410

**UH-1000'S
THRU
UH-2000'S**

NOTE:	(1) FSP UNITS ONLY	(4) UH2000 SERIES ONLY
	(2) FIP UNITS ONLY	(5) -1 UNIT HEATERS ONLY
	(3) UH1000 SERIES ONLY	

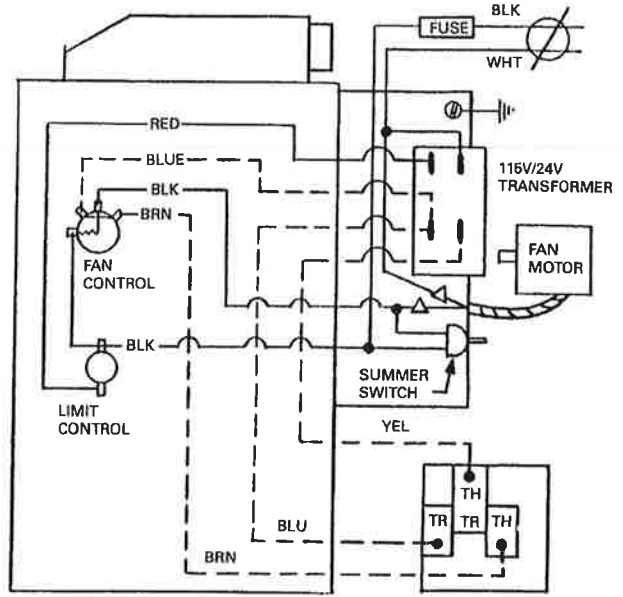
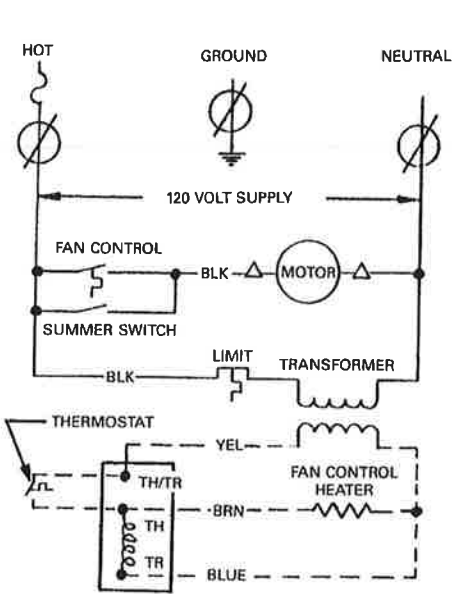
*** UH2120 / LIMIT R893, UH1150 / LIMIT R1280
 † UH1050/1075/1100/2050/2080 UNITS WITH "M" SERIAL NUMBER 1994, EQUIPPED WITH ITT (STANDING PILOT) AND PILOT BRACKET ARE NOT INTERCHANGEABLE WITH "A" THROUGH "L" SERIAL NUMBER UNITS.

Please call to check on availability of parts.



**UH-1000'S
THRU
UH-2000'S**

FSP WIRING DIAGRAM



THERMOSTATE CONNECTS ACROSS YEL & BRN TERMINALS

- If any of the original wire as supplied with this unit must be replaced, it must be replaced with No. 18, 105°C wire or its equivalent.
- On units with dual motors, the additional duplicate motor is connected at the location of this symbol — Δ.
- Electrical circuits — alternating current, 60 hertz (cycles).
- Supply voltage — 115 volts single phase.
 - 120 volts
 - 24 volts

FIP WIRING DIAGRAM

